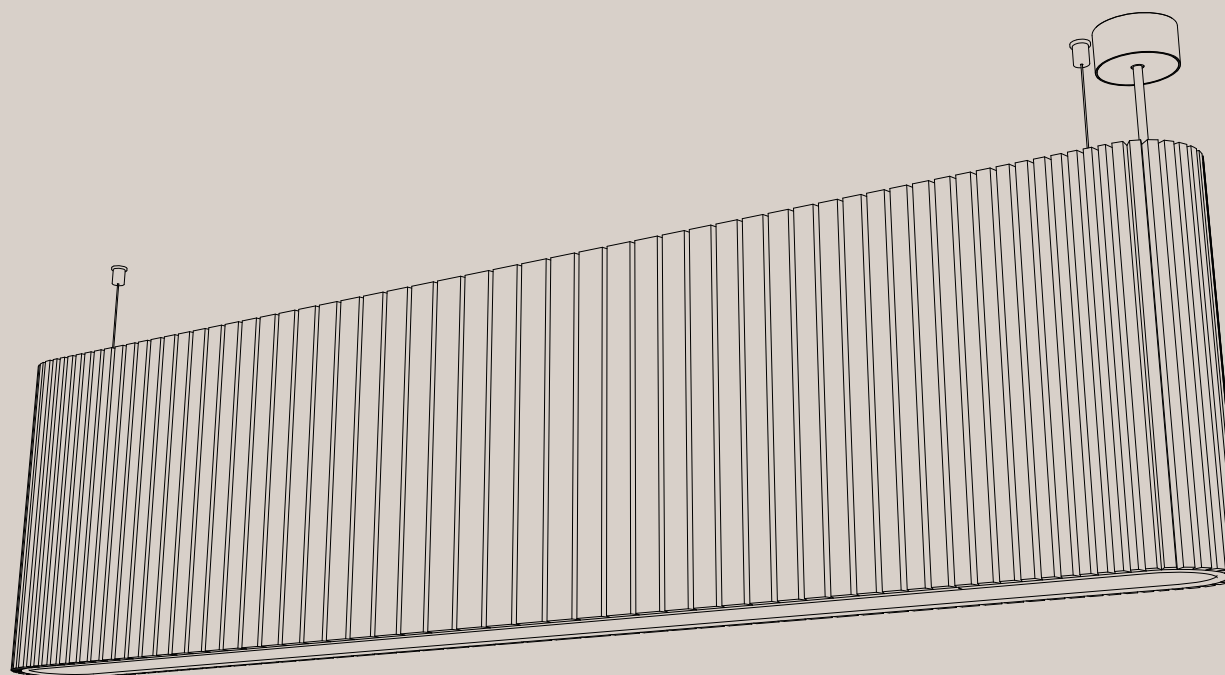


IMPACT ACOUSTIC®



Densa

Acoustic Lighting

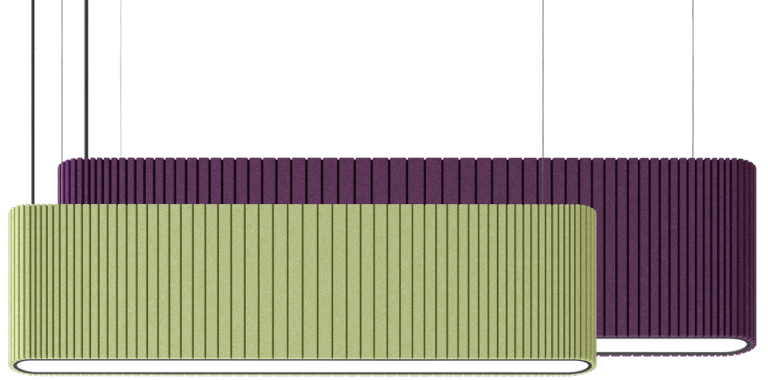
723.12.12.000.00

723.12.13.000.00

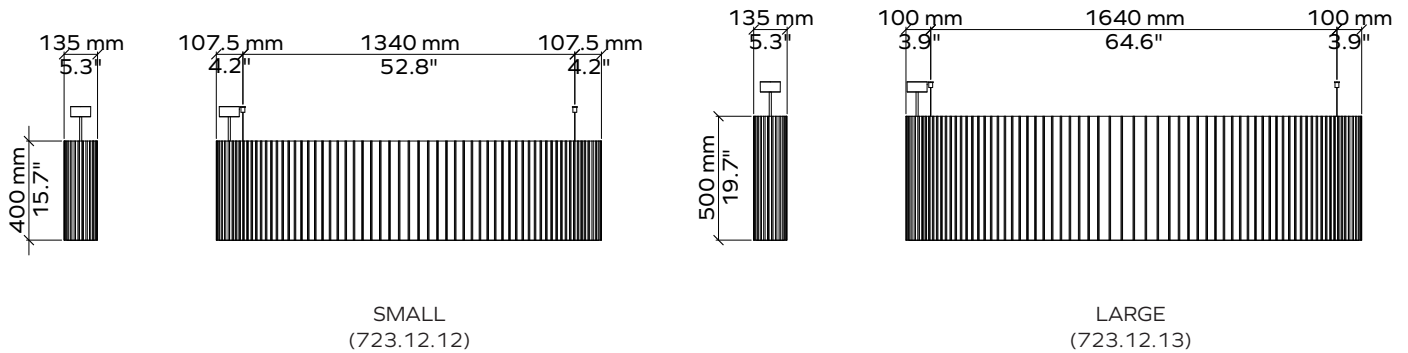
TECHNICAL DATA SHEET

Densa

Acoustic Lighting



PRODUCT DIMENSIONS



ARTICLE NUMBERS

Lighting Product	Product Size	Color code	CCT	North American Market
723.12.	12 (Small)	Choose color as shown on pg. 3	27 (2700K)	Add an A at the end of the CCT code to indicate this product is for North America
	13 (Large)		30 (3000K)	
			35 (3500K)	
			40 (4000K)	

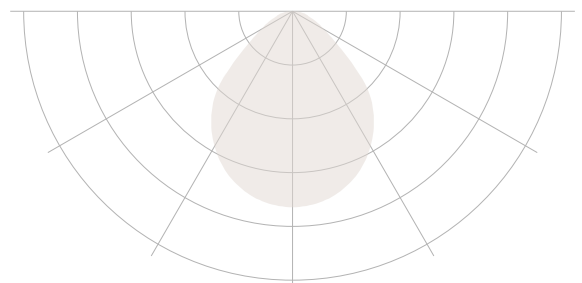
Example: 723.12.12.706.35A

Densa Small [(1550 x 135mm/61.22 x 5.31", Spearmint 706 color, 3500K CCT, 110-277V (North America)]

LIGHTING SPECIFICATIONS

	Small (723.12.12.)	Large (723.12.13.)
Output	Direct	
Total Lumen Output (lm)	2700	3200
Wattage	32	32
Efficacy (lm/W)	84	100
Diffuser	Microprism	
Beam Angle	92	
CCT	2700-3000-3500-4000K	
CRI	80+	
MacAdam	3	
Voltage	220 - 240 V / 120V	
Dimming	0-10V 0.1% DALI	
Driver Location	On-Board	

LIGHT DISTRIBUTION GRAPH



CERTIFICATIONS



ARCHISONIC®

Colors



Name	Snow White	Milk	Cloud	Smoke	Ground	Charcoal	Slate	Raven
Color Code	500	404	103	442	108	542	444	550
NCS Code	S 0300-N	S 0502-Y	S 1002-B	S 3005-R80B	S 5005-Y20R	S 7502-B	S 4500-N	S 8500-N
Name	Nordic Pine	Grove	Moss	Spearmint	Ice Blue	Succulent	Deep Sea	Marine Blue
Color Code	311	317	439	706	304	712	918	864
NCS Code	S 5030-G10Y	S 7020-G30Y	S 2040-G40Y	S 1010-B90G	S 0510-B	S 3020-B30G	S 5020-R90B	S 4050-R70B
Name	Linen	Shell Pink	Jute	Warm Stone	Terracotta	Soft Coral	Honeycomb	Sunshine
Color Code	107	102	920	105	239	516	139	846
NCS Code	S 1505-Y30R	S 0510-R30B	S 3010-Y30R	S 3010-Y50R	S 4040-Y70R	S 2020-Y90R	S 2050-Y20R	S 1040-Y10R
Name	Garnet	Hot Pink	Poster Red	Electric Orange	Winter Sky	Pacific Ocean	Midnight	Grape
Color Code	724	140	662	464	311	432	810	540
NCS Code	S 5040-R10B	S 2060-R20B	S 1080-R	S 0580-Y70R	S 5030-G10Y	S 3040-B	S 7020-R70B	S 5040-R40B

These NCS codes are the closest visual match available and may not be exact to blended fibres.

ARCHISONIC®

Colors

Experience our ARCHISONIC® Felt material with a stunning selection of 32 colors across 8 distinct families, thoughtfully curated by *Colour Hive* in London. Effortlessly combine colors harmoniously to suit your preferences. Discover more in our Materials brochure and order your free sample box today.

Color fastness

Class 6

ISO 105-B02:A1

Order a free sample box



Densa

Acoustic Performance



Testing Standards

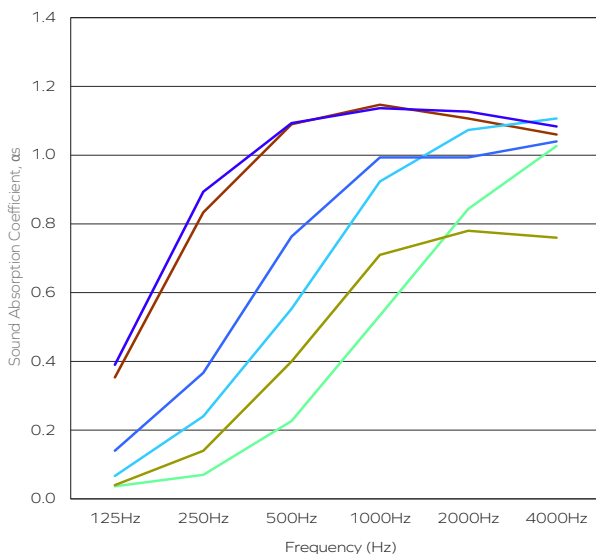
ISO 354:2003	Acoustics — Measurement of sound absorption in a reverberation room
ISO 11654:1997	Acoustics — Sound absorbers for use in buildings — Rating of sound absorption
ISO 20189:2018	Acoustics — Screens, furniture and single objects intended for interior use — Rating of sound absorption and sound reduction of elements based on laboratory measurements
ASTM C423-17	Standard Test Method for Sound Absorption and Sound Absorption Coefficients by the Reverberation Room Method
ASTM E795-16	Standard Practices for Mounting Test Specimens During Sound Absorption Tests

Acoustic Test Results

	α_w	SAA	NRC
Archisonic 12mm (no air gap)	0.3 (MH)	0.42	0.45
Archisonic 12mm (50mm air gap)	0.4 (MH)	0.50	0.65
Archisonic 12mm (50mm insulation)	1.00	1.00	0.95
Archisonic 24mm (no air gap)	0.55 (MH)	0.70	0.70
Archisonic 24mm (50mm air gap)	0.65 (MH)	0.78	0.80
Archisonic 24mm (50mm insulation)	1.00	1.00	1.00

Acoustic Performance

Frequency (Hz)		125	250	500	1000	2000	4000
Archisonic 12mm (no air gap)	α_s	0.04	0.07	0.23	0.53	0.84	1.03
Archisonic 12mm (50mm air gap)	α_s	0.04	0.14	0.40	0.71	0.78	0.76
Archisonic 12mm (50mm insulation)	α_s	0.35	0.83	1.09	1.15	1.11	1.06
Archisonic 24mm (no air gap)	α_s	0.07	0.24	0.55	0.92	1.07	1.11
Archisonic 24mm (50mm air gap)	α_s	0.14	0.37	0.76	0.99	0.99	1.04
Archisonic 24mm (50mm insulation)	α_s	0.39	0.89	1.09	1.14	1.13	1.08



- Archisonic 12mm (no air gap)
- Archisonic 12mm (50mm air gap)
- Archisonic 12mm (50mm insulation)
- Archisonic 24mm (no air gap)
- Archisonic 24mm (50mm air gap)
- Archisonic 24mm (50mm insulation)

The graph represents the sound absorption coefficients (α_s) in the third octave band center frequencies. Measurement used Pink Noise as excitation signal in a reverberant room.

ARCHISONIC® Felt

Material Specification

Product Name	Archisonic® Felt	
Content	100% PET (60% certified post-consumer content)	
Thickness¹	12mm (0.47")	24mm (0.94")
Max. Size	1200x2800mm (47"x110")	1800x2400mm (70"x94")
Acoustic²	ASTM: NRC=0.6 ISO: α_w =0.65	ASTM: NRC=0.9 ISO: α_w =0.95
Density¹	2400 g/m ² (0.49 lbs/ sqft)	4000 g/m ² (0.82 lbs/sqft)
Color Fastness	Class 6 ISO 105-B02:A1	
Color	32 colors (see Archisonic® Felt Color page for more information)	
Maintenance	For daily cleaning we recommend alcohol solution (75%), e.g. Pantasept. In case of contamination by dust or fluff, use feather duster or a regular vacuum cleaner. For heavy dirt, treat the material with hydrogen peroxide.	
Lead time³	21 days	
Fire Rating	DIN EN 13501-1: B-s1, d0	ASTM E84 Class A
VOC Emission	28 Days French Regulation A+ ASTM E84 Pass Bream® (International, UK, NL, SE, NOR) Exemplary CDPH (CDPH/EHLB/Standard Method V1.2) Pass	
Certifications	Declare label, Cradle to Cradle, UL Environmental Product Declaration, Member of US Green Building Council, Ecobau 1st Priority, Climmate-KIC, VOC emissions in LEED EQ credit (low-emitting products), SCS Recycled Content	
Durability	Contract	

1 - all values are nominal 2 - measured with 300mm air cavity 3 - depending on the location and type of product



Climate-KIC is supported by the EIT, a body of the European Union



Declare.



Densa

Acoustic Lighting

Online Resources

A variety of resources are available online for all of our products. Please visit the product's page for more information.



CAD files
IES/LDT files



Spec sheets and
Installation Guide



Color families



Instruction
videos



Associated
products specs.

Ordering Process

Our experienced team of Project Consultants will guide and support you throughout the order process. We fulfill the majority of our orders in as little as 21 days¹ from your first point of contact, allowing you to focus on what truly matters to you.



Contact our
consultant

Quote¹

48 h



Order Confirmation

Production¹

2 - 3 weeks



Dispatch

Transit

location based



Delivery

Contact Us

Ready to make an impact? We are just an email or call away to discuss your project and answer any question.



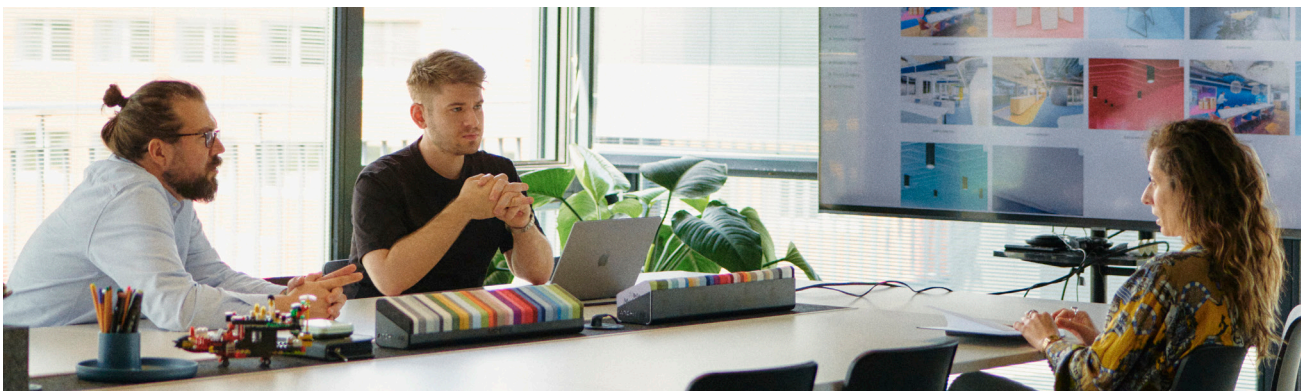
+41 41 566 55 55



connect@impactacoustic.com



Online form



¹ - Quote and Production times may vary.

**#We
Make An
Impact**

connect@impactacoustic.com | www.impactacoustic.com